



Restyling of switches for standard applications



Passion for Quality

Restyling of switches for standard applications

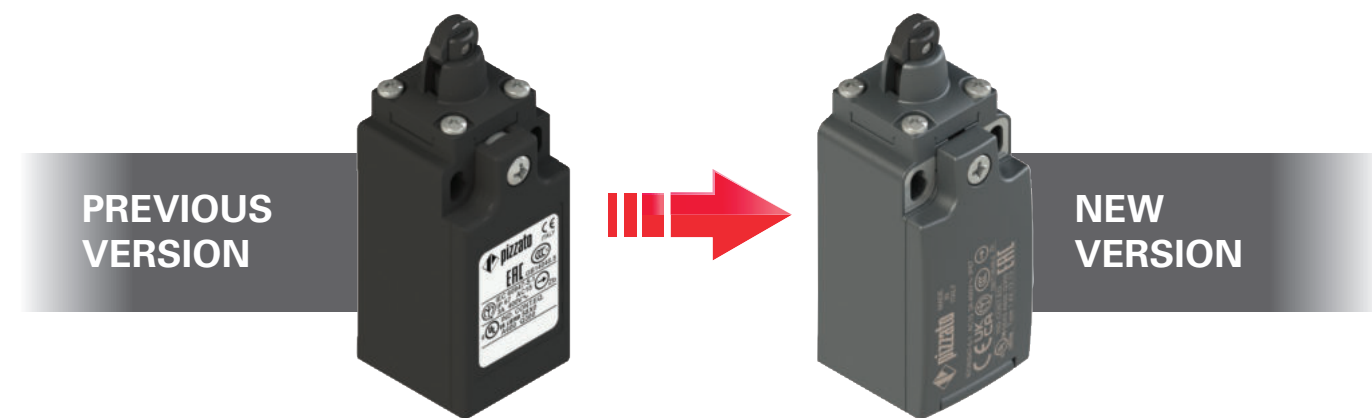
One of Pizzato Elettrica's primary goals is to offer customers cutting-edge technical solutions while guaranteeing the same refined style that has always distinguished the brand.

In line with this philosophy, the company has launched the restyling of switches for standard applications in the series FR, FM, FK and FX.

Updates to the products include aesthetic changes and improvements in terms of durability, resistance and practicality for wiring.

UPDATED HOUSING DESIGN

The new series have a more modern design with rounded shapes. The colour changes from black to anthracite grey, in line with the brand identity.



HINGED COVER

For the FR, FM, FK and FX series, a hinged cover has been introduced (equipped with gasket and captive screws) for easier, more practical wiring.

For switches made with thermoplastic materials, once opened, the cover remains hooked onto the switch body.

Series FR, FM, FK and FX feature a single captive screw to secure the cover. This enables far quicker wiring of the device.



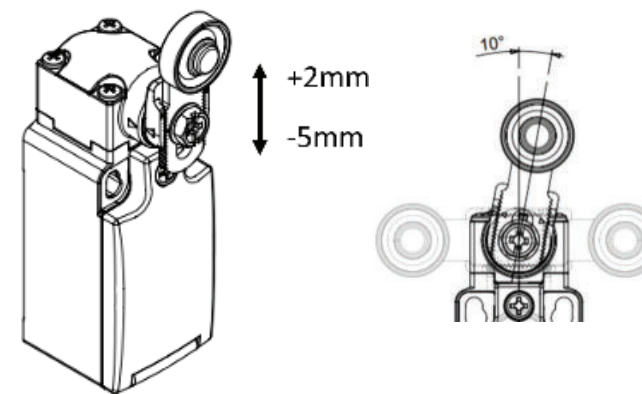
METAL FIXING PLATES

All series with technopolymer housing are equipped with metal plates on mounting holes. This enables more secure mounting of the switch, with screws tightened against a metal surface.

The fixing plates are made of thick zinc-plated steel; they are available in stainless steel on request.

LASER ENGRAVING

All devices are marked using a dedicated indelible laser system. These engravings are therefore suitable for extreme environments too. Thanks to this system that does not use labels, the loss of plate data is prevented and a greater resistance of the marking is achieved over time.



NEW LEVERS

The range of swivelling levers for switches for standard applications has been updated with models that maintain the previous dimensions but offer added functionality, including position adjustment in 1 mm increments along the length of the actuator. This feature, combined with the additional possibility of the radial adjustment of the actuator, provides the installer with a never before achieved flexibility in the final adjustment of the product. All this while maintaining the positive geometric locking between lever and swivel shaft as prescribed for safety applications.

Levers are also available in stainless steel to withstand corrosive environments.

PROTECTION DEGREES IP67 AND IP69K

The protection degree has been improved from level IP67 to IP69K for actuators without external rubber hood.

IP67
IP69K



STANDARD M20 THREAD

The standard M20 thread has also been introduced for the FK series, enabling application of M12 4-pole connectors (metal and plastic) or M20 cable gland. Having a cable feed-through with a greater diameter, the M20 cable gland facilitates wiring of contact blocks.



pizzato

PASSION FOR QUALITY

Pizzato Elettrica s.r.l.

via Torino, 1 - 36063 Marostica (VI) Italy

Phone: +39 0424 470 930

E-mail: info@pizzato.com

Website: www.pizzato.com

Any information or application example, connection diagrams included, described in this document are to be intended as purely descriptive. The choice and application of the products in conformity with the standards, in order to avoid damage to persons or goods, is the user's responsibility. The drawings and data contained in this document are not binding and we reserve the right, in order to improve the quality of our products, to modify them at any time without prior notice. All rights to the contents of this publication are reserved in accordance with current legislation on the protection of intellectual property. The reproduction, publication, distribution and modification, total or partial, of all or part of the original material contained therein (including, but not limited to, texts, images, graphics), whether on paper or in electronic form, are expressly prohibited without written permission from Pizzato Elettrica Srl. All rights reserved. © 2024 Copyright Pizzato Elettrica.

ZE BRC27A24-ENG

